

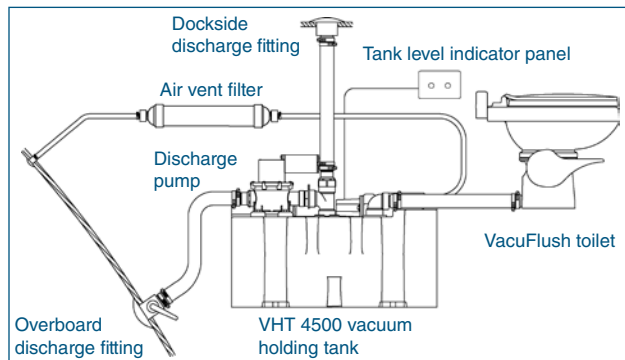
VHT Vacuum Holding Tanks

Big VacuFlush® Power for Small Boats

For performance boats and other trailerable boats with space too limited for typical marine toilet systems, VacuFlush VHT vacuum holding tank systems make it easy to install a complete VacuFlush toilet system on boats from 19 ft. (5.8 m) to 26 ft. (8 m) in length. VHT tank models integrate a vacuum pump, vacuum reservoir and waste holding tank into one easy-to-install unit. Compact in size, these VHT units deliver all the benefits of larger VacuFlush systems, providing a waste tank with as much flushing capacity as holding tanks that are sized for much larger boats.

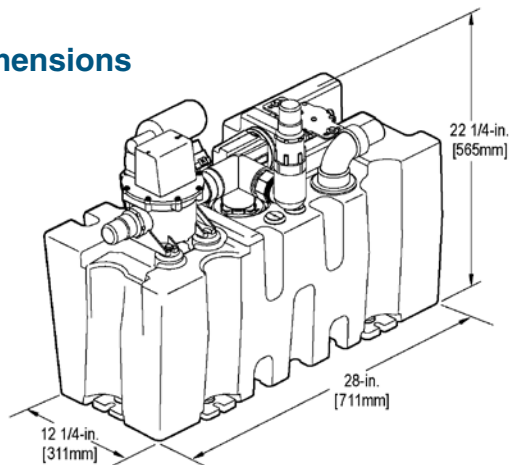
VHT4500 Vacuum Holding Tank

- 9-gal (34 l) VHT waste capacity holds as many flushes as 30-gal. (114 l) tank with standard marine toilet
- Corrosion-proof, leak-proof, odor-proof – high-density polyethylene construction
- “3/4” and “full tank” level sensors
- Auto “full tank” shutdown to toilet system prevents tank overflow
- Easy to plumb and install – no solvent-bond connection required
- Optional discharge pump models available



VHT4511 with discharge pump (optional)

Dimensions



VHT4500 System Requirements

ELECTRICAL	Power draw (avg.)	3 amps/12 V DC
	Circuit breaker/fuse	5 amps/12 V DC
INLET PLUMBING	ID	1.5 in./38 mm
	Horizontal run	20 ft./6.1 m max. from toilet discharge
DISCHARGE PLUMBING	Vertical run	3 ft./0.9 m max. from toilet discharge
	ID	1.5 in./38 mm sanitation hose or PVC pipe
	Horizontal run*	30 ft./9.1 m max. to discharge fitting
VENT HOSE	Vertical run*	6 ft./1.8 m max. to discharge fitting
	ID	5/8 in./16 mm sanitation hose
REQUIRED COMPONENT	VacuFlush toilet †	

* When using VHT 4500 with SeaLand T series discharge pump (optional).

† Purchased separately.

Specifications subject to change without notice.

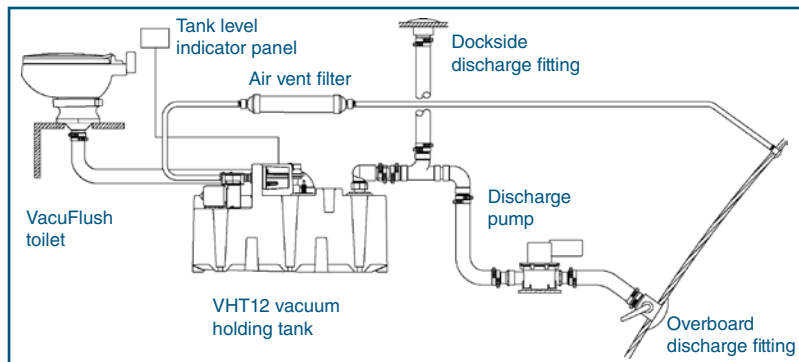
VHT4500 Technical Specifications

MODEL	DESCRIPTION	EMPTY WEIGHT*	FULL WEIGHT*
4501	9-gal./34-liter vacuum holding tank, straight discharge fitting (vertical)	30 lbs./14 kg	102 lbs./46 kg
4502	9-gal./34-liter vacuum holding tank, elbow discharge fitting (vertical)		
4511	9-gal./34-liter vacuum holding tank, swivel discharge fitting		

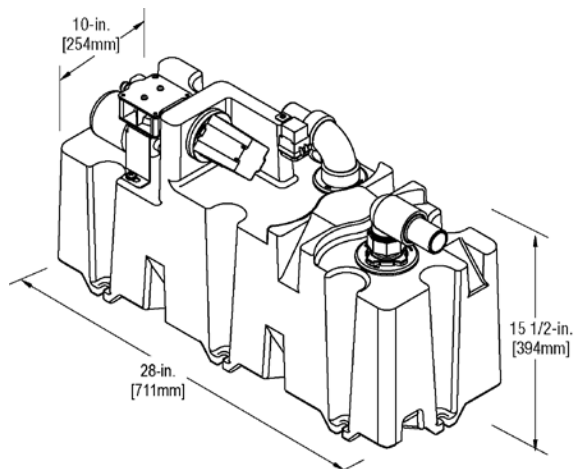
* For models with discharge pump, add 8 lbs./3.6 kg.
Specifications subject to change without notice.

VHT12 Vacuum Holding Tank

- 6.5-gal (25 l) VHT waste capacity holds as many flushes as 17-gal. (64 l) tank with standard marine toilet
- Corrosion-proof, leak-proof, odor-proof – high-density polyethylene construction
- Models include “full” tank level sensor only, or “3/4” and “full” tank level sensors
- Auto “full tank” shutdown to toilet system prevents tank overflow
- Easy to plumb and install – no solvent-bond connection required



Dimensions



VHT12 System Requirements

ELECTRICAL	Power draw (avg.)	3 amps/12 V DC
	Circuit breaker/fuse	5 amps/12 V DC
INLET PLUMBING	ID	1.5 in./38 mm sanitation hose or PVC pipe
	Horizontal run	20 ft./6.1 m max. from toilet discharge
	Vertical run	3 ft./0.9 m max. from toilet discharge
DISCHARGE PLUMBING	ID	1.5 in./38 mm sanitation hose or PVC pipe
VENT HOSE	ID	5/8 in./16 mm sanitation hose
REQUIRED COMPONENT	VacuFlush toilet †	

† Purchased separately.
Specifications subject to change without notice.

VHT12 Technical Specifications

MODEL	ITEM	DESCRIPTION	EMPTY WEIGHT	FULL WEIGHT
VHT12	317769012	6.5-gal./25-liter vacuum holding tank with “full tank” sensor	26.5 lbs./12 kg	81 lbs./37 kg
	317769212	6.5-gal./25-liter vacuum holding tank with “3/4” and “full tank” sensors		

Specifications subject to change without notice.